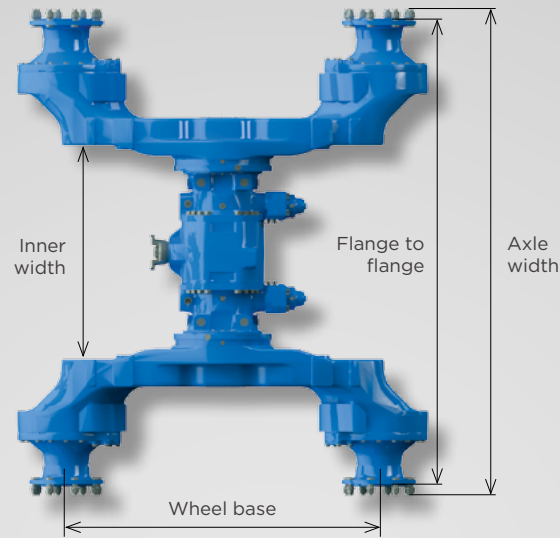
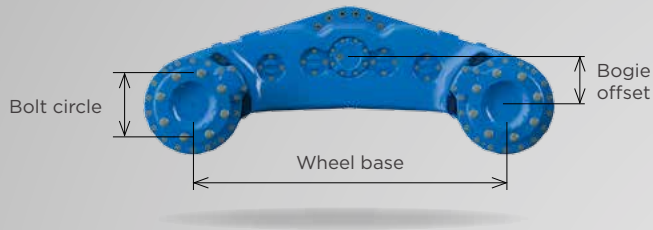


PORTAL BOGIE AXLE

TYPE	PTA 44	PTA 54	PTA 55	PTA 56
Ratio	19.5 - 20.30	19.5 - 20.30	14.59 - 29.38	22.14 - 25.82
Static axle load up to [kN]	180	180	280	360
Dynamic axle load [kN]	120	120	170 - 220	230 - 255
Max. speed [kph]	30	30	30	30
Tyre sizes	22.5"	22.5"	24.5" / 25" / 26.5"	25" / 26.5"
Parking brake design	Inboard on differential	Inboard on differential	Inboard on differential	Inboard on differential
Service brake design	Inboard on differential	Inboard on differential	Inboard on differential	Inboard on differential
Input torque [Nm]	Max. 3500	Max. 3500	Max. 5200	Max. 6800
Input RPM	Max. 2800	Max. 2800	Max. 2800	Max. 2800
Axle width [mm]	1873 - 2047	1873 - 2047	2094 - 2500	2480 - 2640
Flange-to-flange [mm]	1779 - 1953	1779 - 1953	2000 - 2406	2390 - 2550
Inner width [mm]	739 - 940	739 - 940	638 - 952	960 - 1070
Bolt circle [mm]	275	335	335	335
Wheel base [mm]	1300	1300	1400 - 1520	1500 - 1640
Bogie offset [mm]	200	200	150 / 175 / 200	200
Drive flange	DIN / MECHANICS / SPICER / in different sizes			
Driven by	Flange / directly attached gearbox / hydrostatic or hydrodynamic driveline			
Differential locks	MDDL / NoSpin® / dog clutch / limited slip			





PORTAL BOGIE AXLE

Product features:

- > The PTA axle product range was especially designed for forestry and offroad applications which require a very high spread of ratio possibilities
- > The axles are designed with a portal housing for optimised ground clearance
- > Moreover, all PTA models can be equipped with the patented "Permanent Bogie Balancing System" (PBBS®)
- > PBBS® increases the tractive effort by counteracting the bogie lifting effect

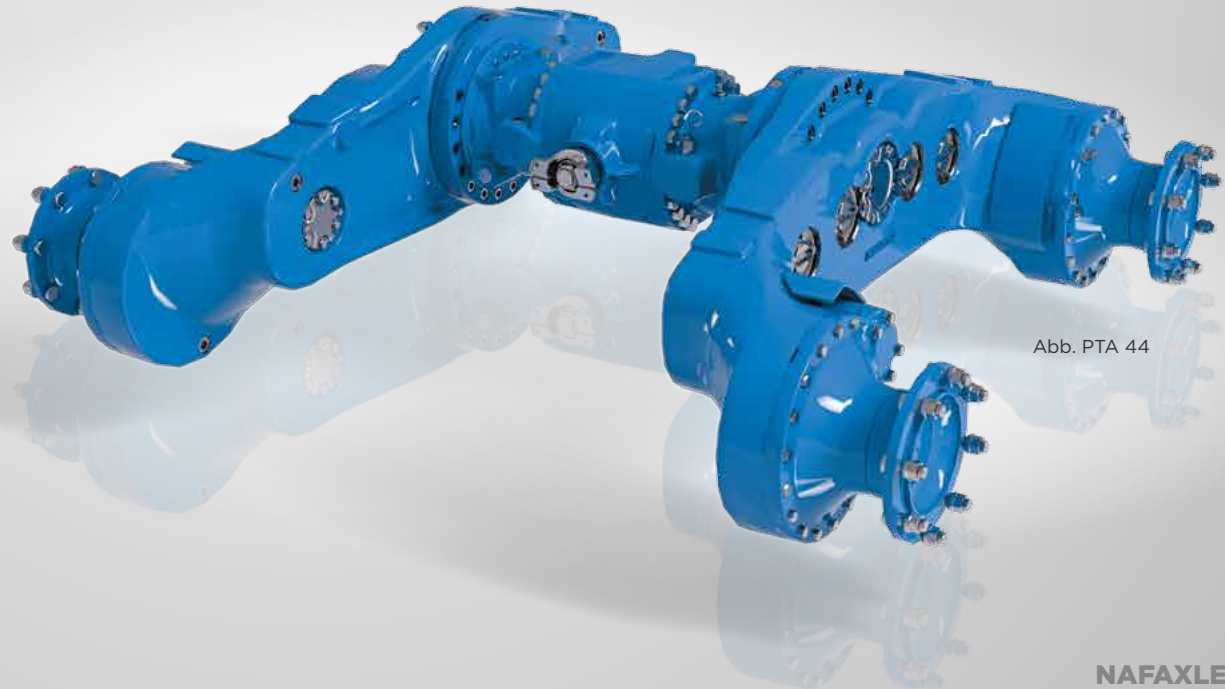


Abb. PTA 44



NAF is the expert for power transmission, traction and load capacity on mobile working machines. Our gears and axles create a substantial competitive advantage in the heavy-duty off-highway industry. As a system partner we have been mastering the tasks of our market-leading customers since 1960 and invest 5% of our annual turnover into research and development.

As our customer you benefit directly from our passion for innovation that guarantees your success.



AT HOME ON **3** CONTINENTS



46

Supplied countries worldwide

500

Employees in total

30.000 m²

of production space in 17 halls

38.000

Components sold each year

14

Patents and
protected innovations

35

Employees working in
R&D/PDP

Headquarters and production

NAF Neunkirchener Achsenfabrik AG
Weyhausenstrasse 2
91077 Neunkirchen am Brand
Germany
T: +49 9134 702-0
F: +49 9134 702-640
info@nafaxles.com

For more information about our
branches in North America, France,
Germany (HQ), Russia & China visit:



NAF • MODULAR-MINDED AXLES

NAFAXLES.COM